

META SPEED-RACK®

Economy Boltless Wide Span Shelving system



The wide span shelving for light yet bulky goods suitable for hand loading.

- Shelf level load capacity up to 500 kg udl
- Bay load capacity up to 3000 kg udl
- Complete standard bays with 4 levels.
- Additional levels can be added if required (→ p. 67)
- Levels adjustable on 50 mm vertical pitch
- Stepped longitudinal and cross beams
- Flush levels with either steel or chipboard decks
- 2 cross support bars for each chipboard level
- Clip in metal feet
- Ground fixing holes provided
- Can be clipped together to form longer runs
- Galvanised finish for long service life.



Basic Standard Bay (as illustrated above)
Overall dimensions: 1970 mm H x 2000 mm W x 600 mm D
Including chipboard decks and clip in metal feet.

Easy ordering under a single reference.

Ref. 81117

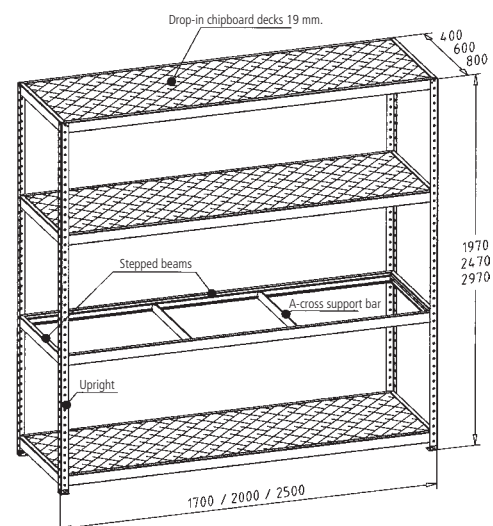
META SPEED-RACK®

Economy Boltless Wide Span Shelving system



The META SPEED-RACK® is the natural choice for those trades requiring hand loaded wide span shelving. Its modular clip-in stepped cross and longitudinal beams make it simple to plan layouts and to assemble.

- Standard bay heights:
1970, 2470 and 2970 mm
- Standard bay depths:
400, 600 and 800 mm
- Standard bay widths:
1700, 2000 and 2500 mm
- Level load capacity up to 500 kg udl
- Bay load capacity up to 3000 kg udl
- Stepped beams adjusted on 50 mm vertical pitch
- Uprights and beams galvanised for long service life
- Flush decks achieved by the stepped beam design even when using chipboard decks (19 mm).



Planning information

All bays individually free-standing can be joined to form runs.

Overall height includes the clip-in metal feet.

META SPEED-RACK® Economy Wide Span Shelving system

Standard Kits of complete bays with chipboard decks



Standard Kits with chipboard decks

Contents of the complete bays of 4 levels

- 4 uprights
 - 8 stepped longitudinal beams
 - 8 stepped cross beams
 - 8 A-cross support bars
 - 4 clip-in feet
 - 4 levelling plates
 - 4 chipboard decks 19mm thick
 - Uprights and beams galvanised
 - Bay load capacity max. 3000 kg
 - All load capacities are uniformly distributed load (udl)
- This height is particularly suited for racks storing Euro containers. See the complete kits using Euro containers on page 68. →

Bay length 1700 mm

Bay height mm	Bay depth mm	No. of levels pcs	Bay load kg	Ref.
1970	400	4	500	87052
1970	600	4	500	87053
1970	800	4	500	87589
2470	400	4	500	87054
2470	600	4	500	87055
2470	800	4	500	87590
2970	400	4	500	87056
2970	600	4	500	87057
2970	800	4	500	87591

NEW

Bay length 2000 mm

Bay height mm	Bay depth mm	No. of levels pcs	Bay load kg	Ref.
1970	400	4	500	81116
1970	600	4	500	81117
1970	800	4	500	81118
2470	400	4	500	81119
2470	600	4	500	81120
2470	800	4	500	81121
2970	400	4	500	81122
2970	600	4	500	81123
2970	800	4	500	81124

Bay length 2500 mm

Bay height mm	Bay depth mm	No. of levels pcs	Bay load kg	Ref.
1970	400	4	400	81125
1970	600	4	400	81126
1970	800	4	400	81127
2470	400	4	400	81128
2470	600	4	400	81129
2470	800	4	400	81130
2970	400	4	400	81131
2970	600	4	400	81132
2970	800	4	400	81133

NEW

META SPEED-RACK® Economy Wide Span shelving system

Standard Kits of complete bays with metal inset panels.



NEW ... now available with metal inset panels.



Bay width 1700 mm

Includes 64 Metal inset panels per bay

Bay height mm	Bay depth mm	No. of levels pcs	Bay load kg	Ref.
1970	400	4	500	87012
1970	600	4	500	87013
1970	800	4	500	87014
2470	400	4	500	87015
2470	600	4	500	87016
2470	800	4	500	87017
2970	400	4	500	87018
2970	600	4	500	87019
2970	800	4	500	87020

Contents of the complete bays of 4 levels

- 4 uprights
- 8 stepped longitudinal beams
- 8 stepped cross beams
- 8 A-support bars
- 4 clip-in feet
- 4 levelling plates
- Metal inset panels to be placed on beams
- Uprights and beams galvanised
- Bay load capacity max. 3000 kg
- All load capacities are uniformly distributed load (udl)

Bay width 2000 mm

Includes 76 Metal inset panels per bay

Bay height mm	Bay depth mm	No. of levels pcs	Bay load kg	Ref.
1970	400	4	500	87021
1970	600	4	500	87022
1970	800	4	500	87023
2470	400	4	500	87024
2470	600	4	500	87025
2470	800	4	500	87026
2970	400	4	500	87028
2970	600	4	500	87029
2970	800	4	500	87030

Bay width 2500 mm

Includes 96 Metal inset panels per bay

Bay height mm	Bay depth mm	No. of levels pcs	Bay load kg	Ref.
1970	400	4	400	87031
1970	600	4	400	87032
1970	800	4	400	87033
2470	400	4	400	87034
2470	600	4	400	87035
2470	800	4	400	87036
2970	400	4	400	87037
2970	600	4	400	87038
2970	800	4	400	87039

META SPEED-RACK®

Economy Boltless Wide Span shelving system – Component range.



The storage system

1 Uprights

Galvanised, 50 x 50 mm.

Height mm	Ref.
1970	80901
2470	80902
2970	80903

2 Stepped beams

Galvanised, 70 mm front section

Length mm	Ref.
400	80904
600	80905
800	80906
2000	80907
2500	80908

3 A-cross support bars

Galvanised

Length mm	Ref.
400	80909
600	80910
800	80911

4 Clip-in metal feet

Galvanised, pre-drilled.

Ref.
80912

5 Steel levelling plates

Galvanised

Ref.
73581

6 Bay joining brackets/clips

Galvanised

Ref.
81026

7 Chipboard decks

19 mm thick V20 E1

For levels mm	width x depth mm	Ref.
2000 x 400	1926 x 326	80981
2000 x 600	1926 x 526	80982
2000 x 800	1926 x 726	80983
2500 x 400	2426 x 326	80984
2500 x 600	2426 x 526	80985
2500 x 800	2426 x 726	80986

8 Fixing plug sets (4 pcs)

Ref.
81108



Tangs on inside of upright angles



Stepped beam to give flush fitting chipboard. Front height 70 mm.



2 A-cross support bars per level



Pre-drilled



Levelling plates for steel feet



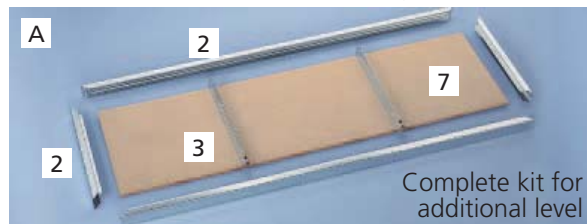
Bay joining bracket/clip



Chipboard deck 19 mm thick



Required with bays having a height/width ratio more than 5:1



Complete kit for additional level

A Extra complete levels – galvanised

Width x depth mm	Chipboard Decks as illustrated in A Ref.	Metal Inset Panels not illustrated Ref.
1700 x 400	87058	87040
1700 x 600	87059	87041
1700 x 800	87592	87042
2000 x 400	81209	87043
2000 x 600	81210	87044
2000 x 800	81211	87045
2500 x 400	81212	87046
2500 x 600	81213	87047
2500 x 800	81214	87048

NEW

META EURO SPEED-RACK® Economy Wide Span shelving system

Standard kits complete with Euro containers.



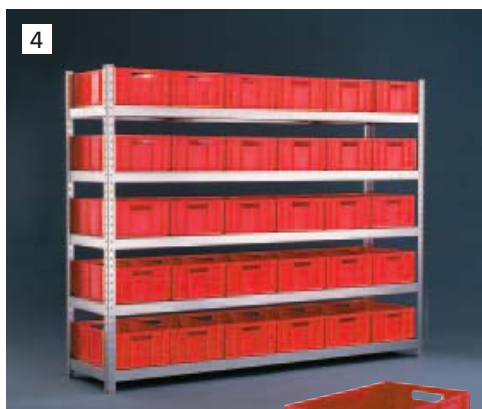
Kit 1
with 30 Euro containers
Type 1: 400 x 300 x 120 mm



Kit 2
with 40 Euro containers
Type 2 : 400 x 300 x 220 mm



Kit 3
with 24 Euro containers
Type 3: 600 x 400 x 120 mm



Kit 4
with 30 Euro containers
Type 4: 600 x 400 x 220 mm



Kit 5
with 16 Euro containers
Type 5: 600 x 400 x 320 mm



Kit 6
with 32 Euro containers
Type 1: 400 x 300 x 120 mm
and 16 Euro containers
Type 2 400 x 300 x 220 mm

Kit contents

- 4 uprights complete with clip-in feet
- The number of levels illustrated in each kit and the table below.
- Each level with 2 A-cross support bars
- 4 levelling plates
- All levels have chipboard decks
- Euro container kits as per illustration in red – blue is also available on request.

Kits

See META SPEED-RACK® units with semi-open fronted containers on page 17

META EURO SPEED-RACK®

Model	Bay height mm	Bay width x depth mm	No. of levels pcs	Bay load kg	Ref.
1	1970	1700 x 400	6	500	86994
2	1970	2500 x 400	5	400	86995
3	1970	1700 x 600	6	500	87004
4	1970	2500 x 600	5	400	87005
5	1970	1700 x 600	4	500	87006
6	1970	2500 x 400	6	400	87007
7	1970	1700 x 600	5	500	87008



Kit 7
with 8 Euro containers
Type 3: 600 x 400 x 120 mm
8 Euro containers
Type 4: 600 x 400 x 220 mm
4 Euro containers
Type 5: 600 x 400 x 320 mm